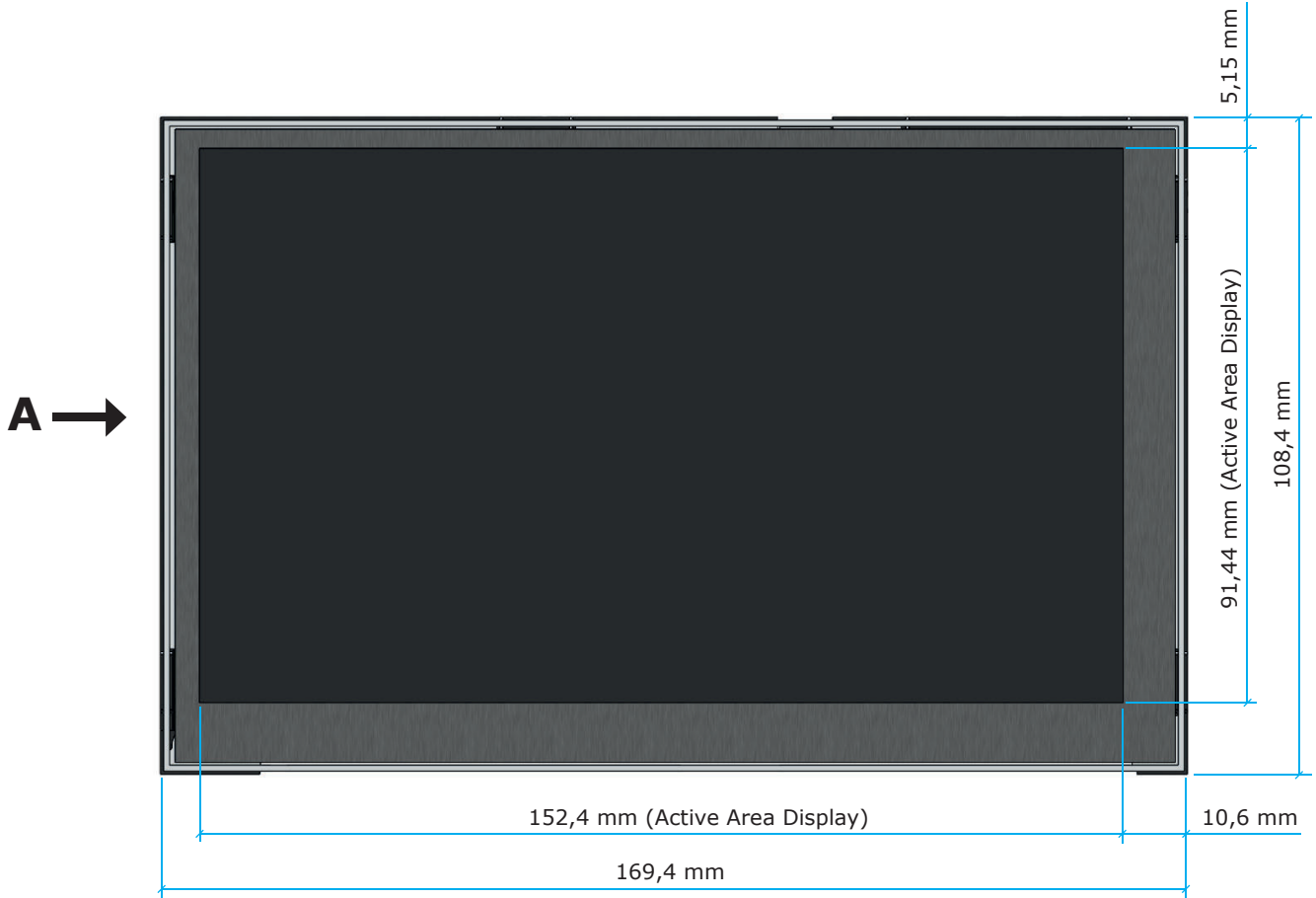


i-PAN7 – new housing

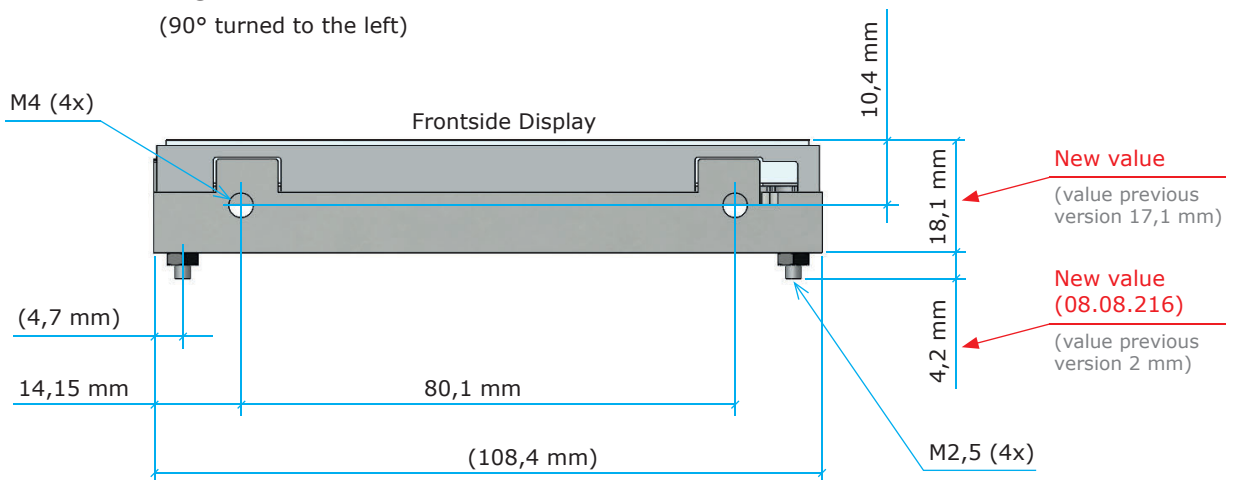
with capacitive EDT Touch-Display ETM070001BDH6

General tolerance to DIN ISO 2768 - m



View A

(90° turned to the left)



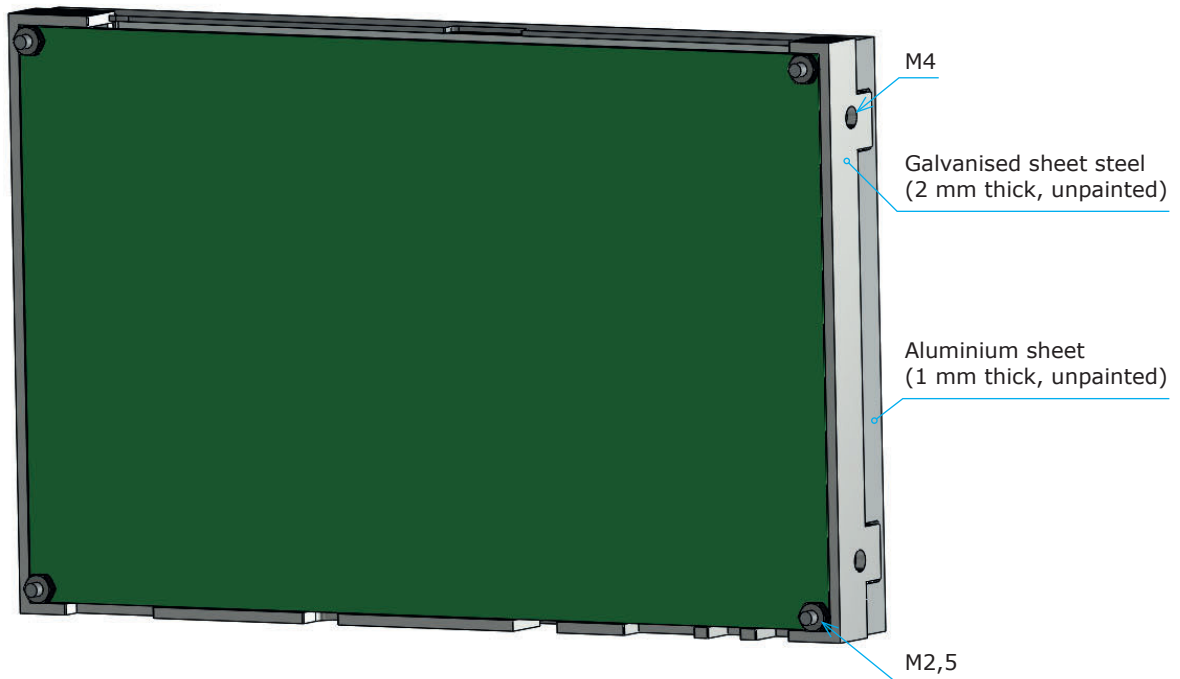
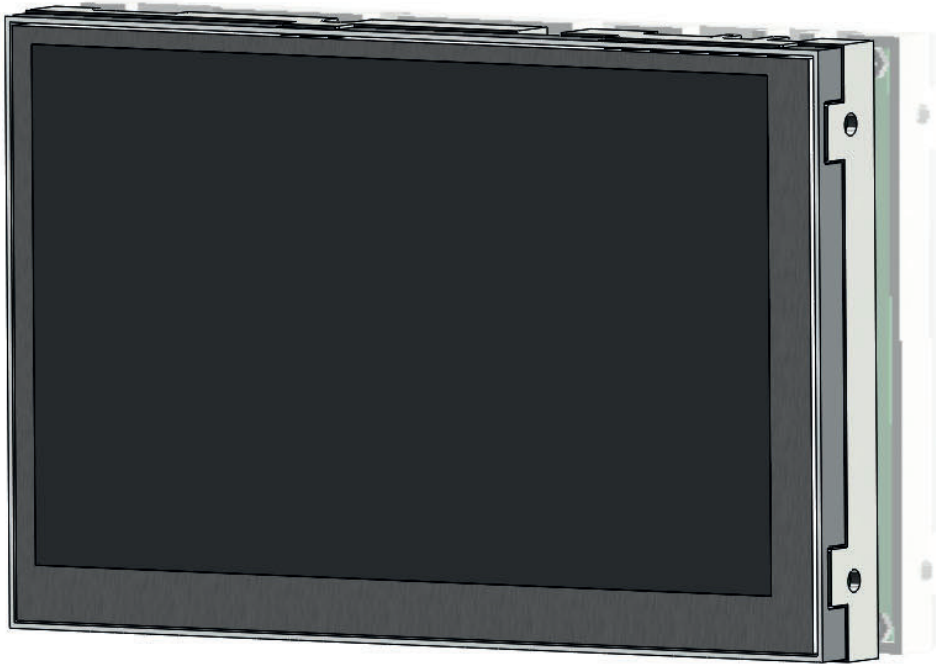
www.keith-koep.com

Keith & Koep GmbH
 Uellendahler Str. 199
 42109 Wuppertal
 Tel +49-202-25253-0
 Fax +49-202-25253-33

i-PAN7 – new housing

General tolerance to DIN ISO 2768 - m

Keith & Koep



www.keith-koep.com