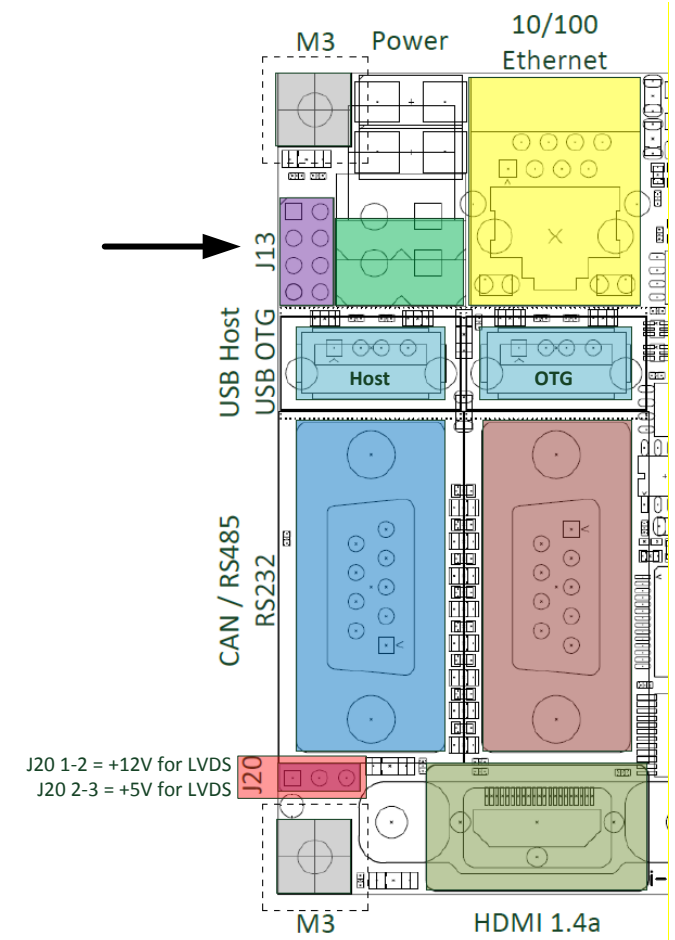
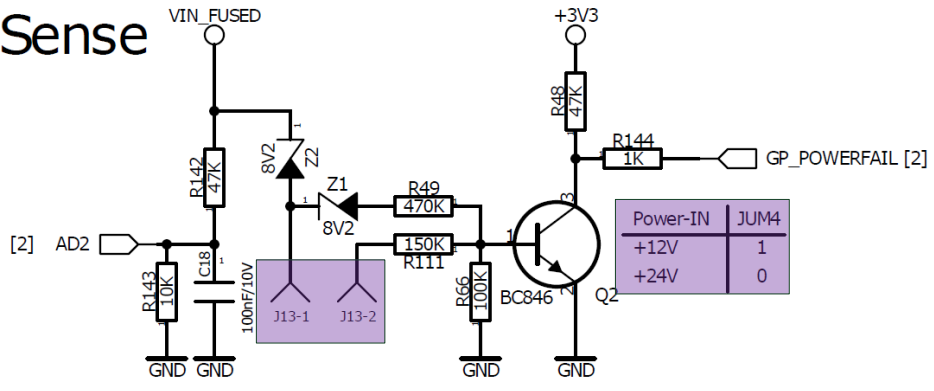


„+5V Direct Low Cost Power Supply“ is only available in custom specific assembly variants above >100 units



J20 1-2 = +12V for LVDS
J20 2-3 = +5V for LVDS

Powerfail-Sense



USB2.0 Host & OTG

