

Trizeps V

Change Notice (UCB1400-->WM9715L)



1.0 Introduction

Philips discontinued the production of the AC97 audio and touch codec UCB1400. The UCB1400 includes an audio interface, a 10 bit touch controller and a 4-input 10 bit ADC.

Future modules will be equipped with the Wolfson WM9715L, which is the most compatible single chip replacement. It includes a similar audio interface, a 12 bit touch controller with a 5-wire option as well as a 4-Input ADC with 12 bit resolution.

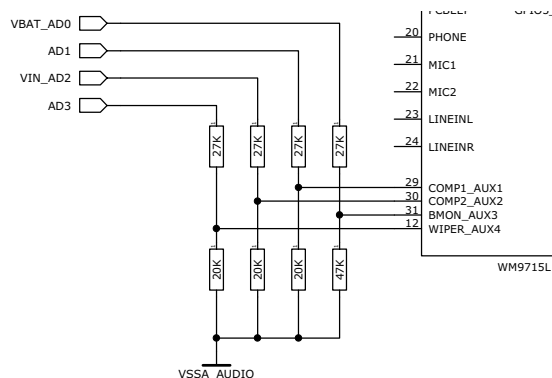
2.0 Implementation

The UCB 1400 is replaced by the Wolfson WM9715L. All AC97 functions are replaced by the Wolfson replacement.

On the Trizeps-modules with Wolfson Codec a 10nF decoupling capacitor may be optionally placed (on demand) to additionally filter the Touch Panel input lines at each pin of this interface (pin 14 up to 17 of WM9715L).

The full scale voltage of the AD0-AD3 inputs of the WM9715L is 3.3V (typical), the UCB1400 full scale input has been 7.5V (typical) at the UCB1400. The signal voltage at the new version of Trizeps will be reduced through a resistor-based voltage divider.

Note: Please reflect the changed input impedance to your board ADC sources. The input impedance is shown here:



3.0 Software changes

The OS-Images need to be rebuilt. Following components are replaced:

1. Touch Driver (ucbtouch.dll)
2. Wave Driver (wavedev.dll)
3. Driver user Library (drvlib_app.dll) with access to adc inputs.

The latest drivers can detect the UCB1400 and the new Wolfson codec. The new function is backward compatible to the UCB1400 based modules. Registry settings are compatible to the old registry parameters. Even the touch calibration values can be kept from old images.

A BSP patch can be downloaded from the service page:

<http://www.keith-koep.com/service/doku.php/service/wince/bsp/patches>

If you need a custom built image, please contact for more information.

4.0 New Order Codes

The order code of the Trizeps V modules changes from 21xxx (with UCB1400) to 35xxx (with WM9715L). For example: The Trizeps-Module with UCB1400 called 21120, has to be ordered with the order code 35120 now!

5.0 Disclaimer

Information furnished by Keith & Koep is believed to be accurate and reliable. However, no responsibility is assumed by Keith & Koep for its use, nor for any infringements of patents or other rights of third parties that may result from its use. Specifications subject to change without notice. No license is granted by implication or otherwise under any patent rights of Keith & Koep. Trademarks and registered trademarks are the property of their owners.