

nConXS-V1R3-KuK

1-CONTENT

2-SODIMM-EXTENSION-LED

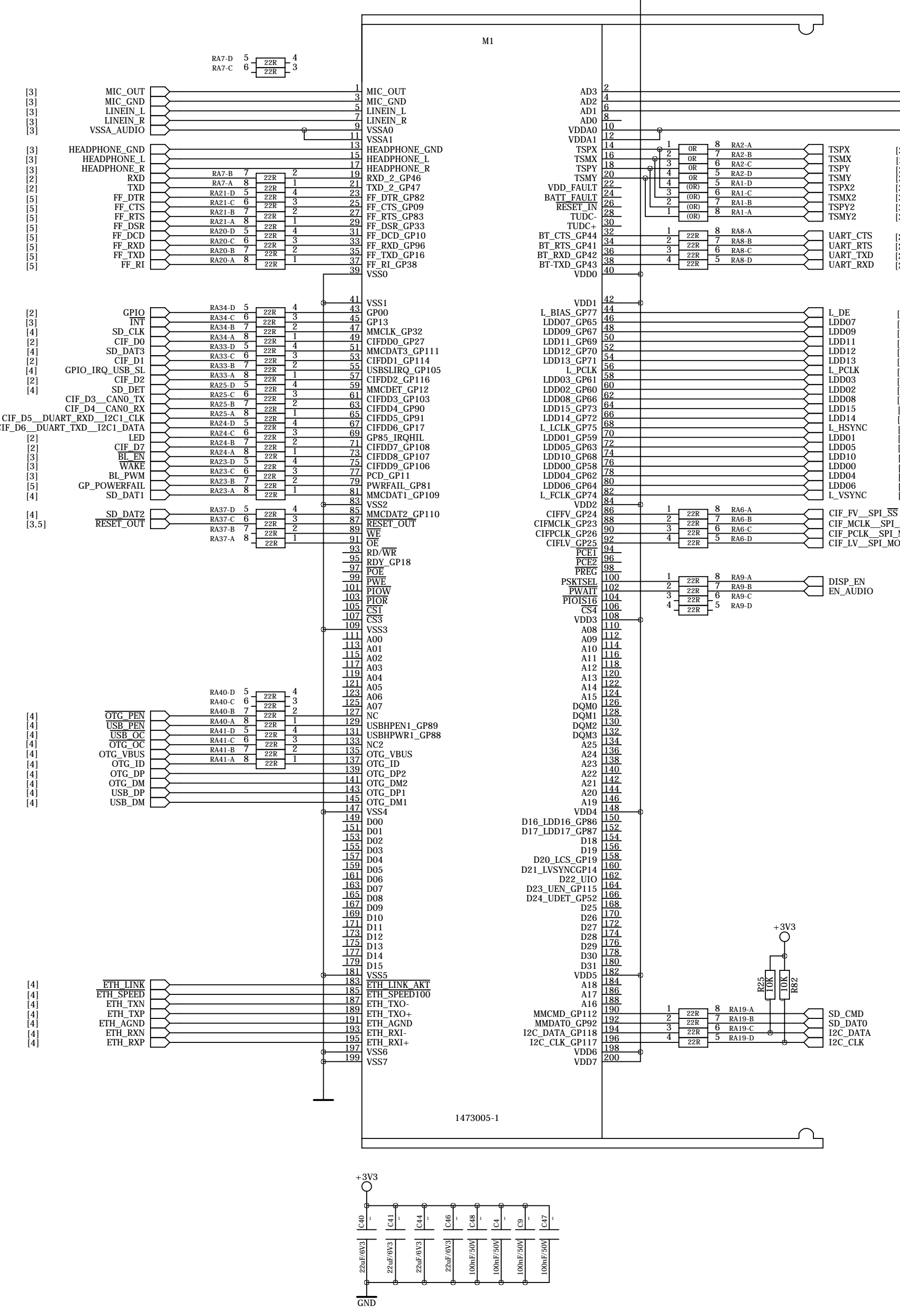
3-DISPLAY-AUDIO

4-USB-ETHERNET-SD-RTC

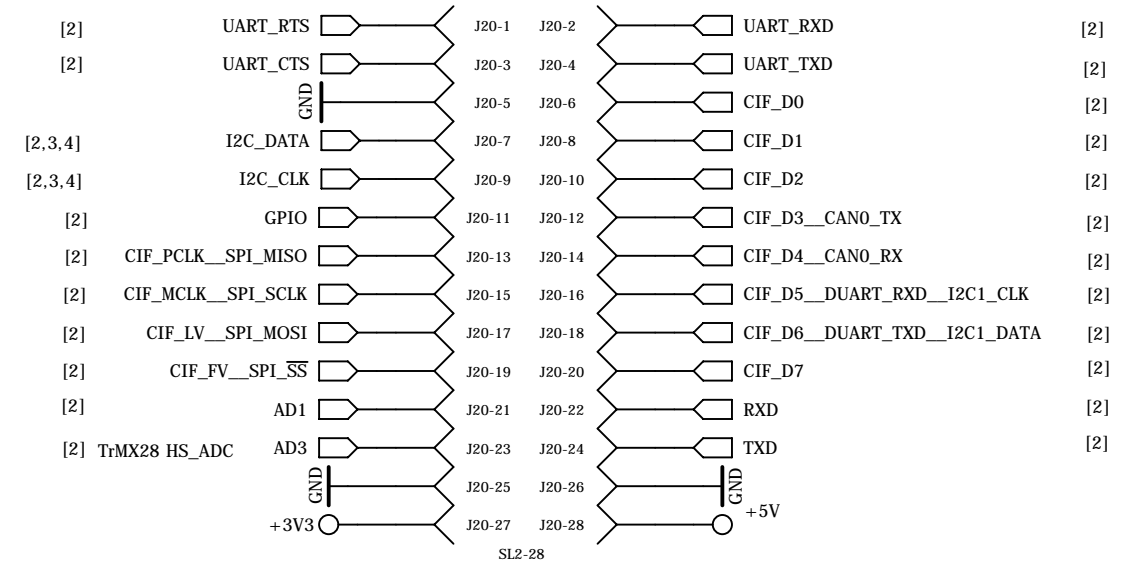
5-POWER-RS232



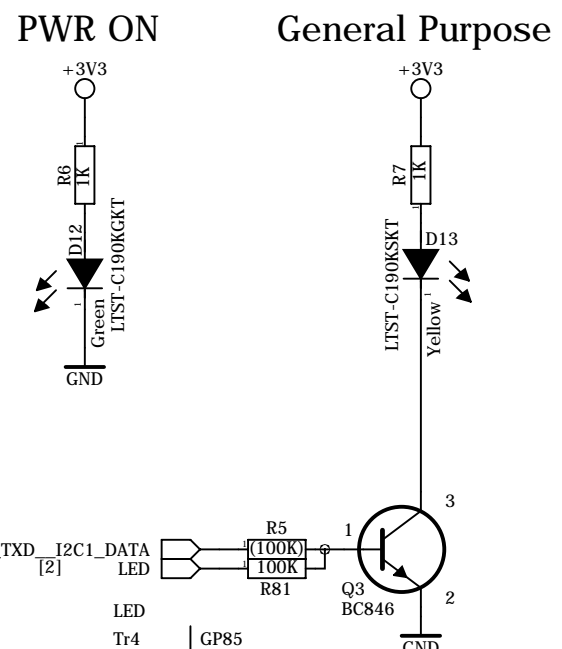
SoDimm



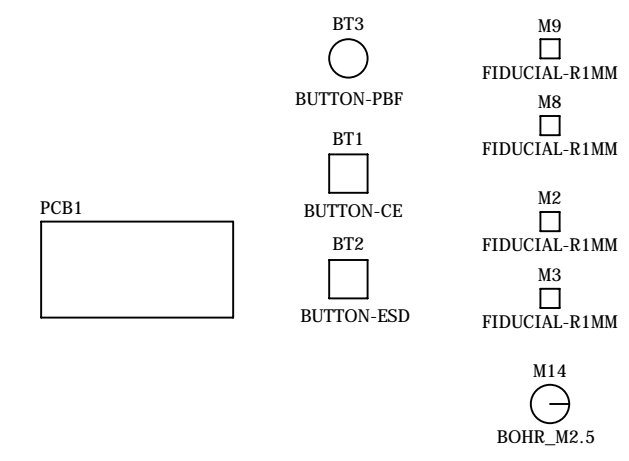
Extension Connection Field



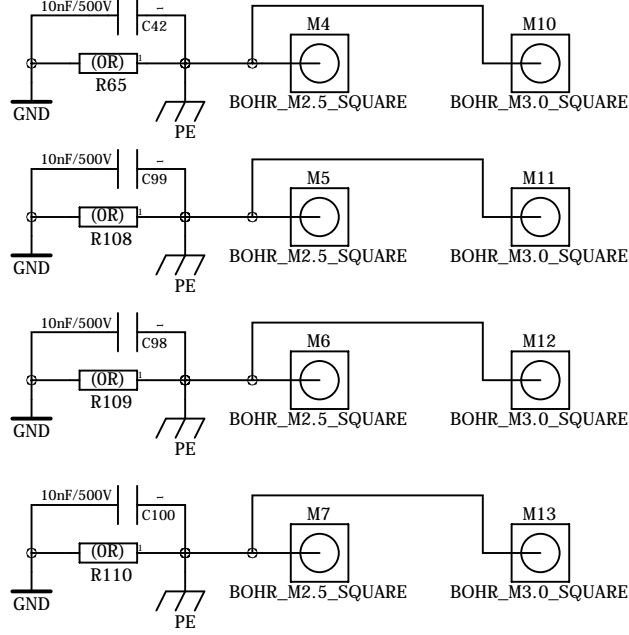
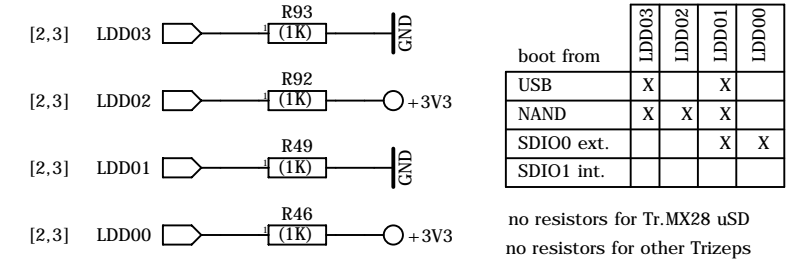
LED



Drills and PCB Items



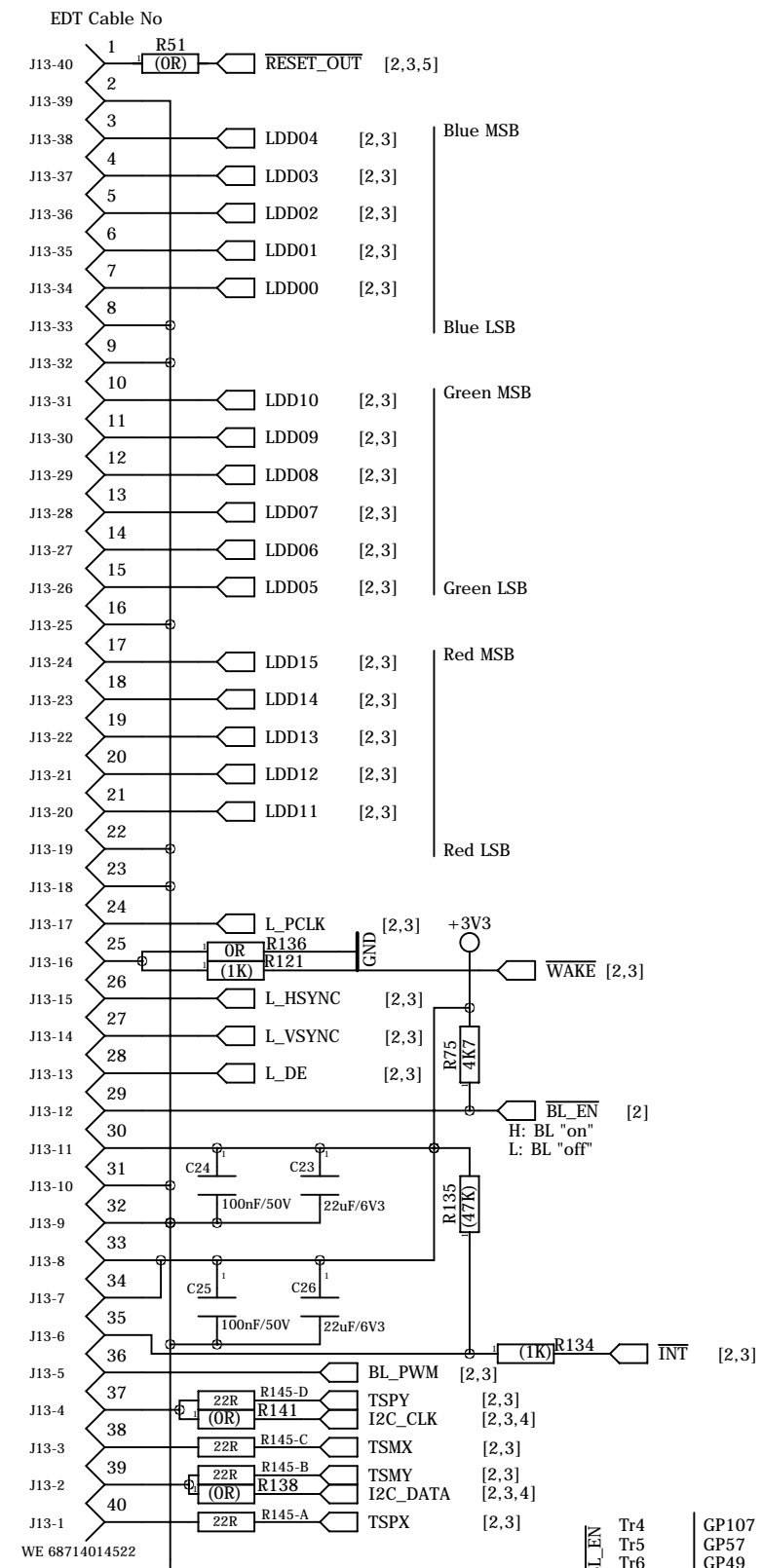
Booptoins MX28



EDT_Family_Concept

restativ to captouch

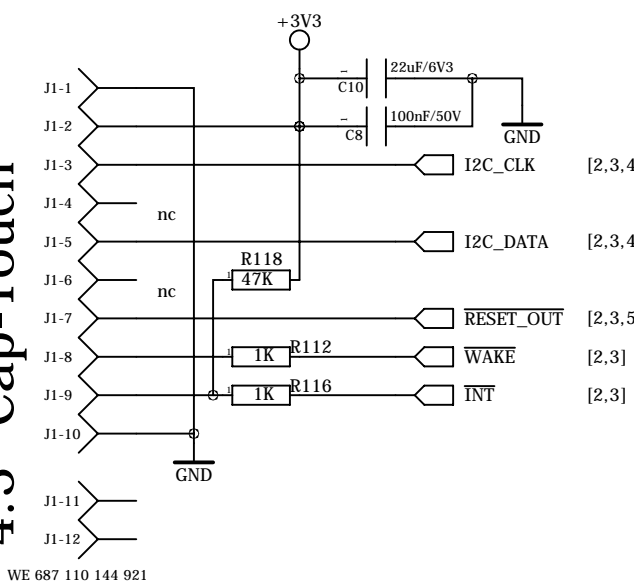
Display, EDT Familienconcept 3.5", 4.3", 5.0", 5.7", 7.0"



Tr4	GP107
Tr5	GP57
Tr6	CP49
TrMX28	GP2.26

Tr4	GP11	PWM2
Tr5	GP17	PWM0
Tr6		CP1D
TrMX28		PWM4

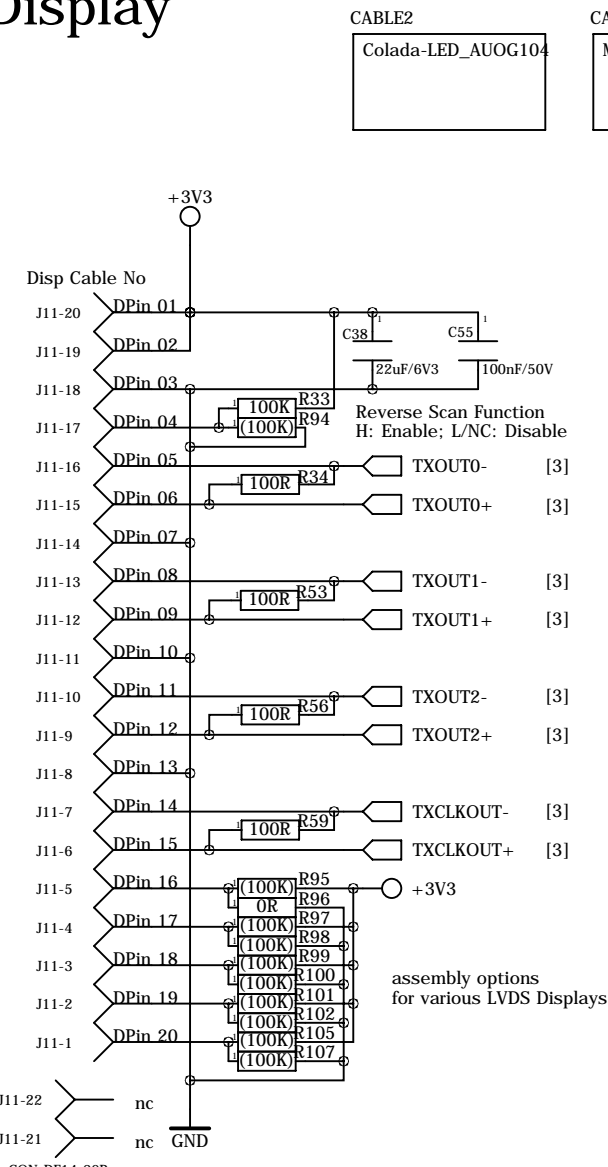
4.3" Cap-Touch



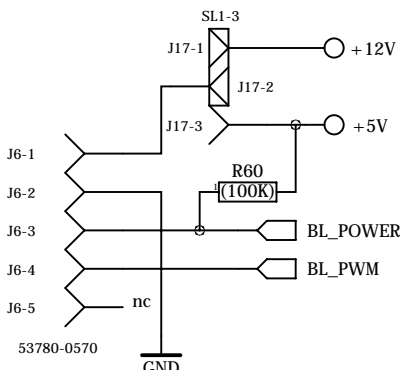
INT	Tr4	GP13
	Tr5	GP16
	Tr6	GP113
	TrMX28	GP2.5

WAKE	Tr4	GP106
	Tr5	GP58
	Tr6	GP51
	TrMX28	GP2.25

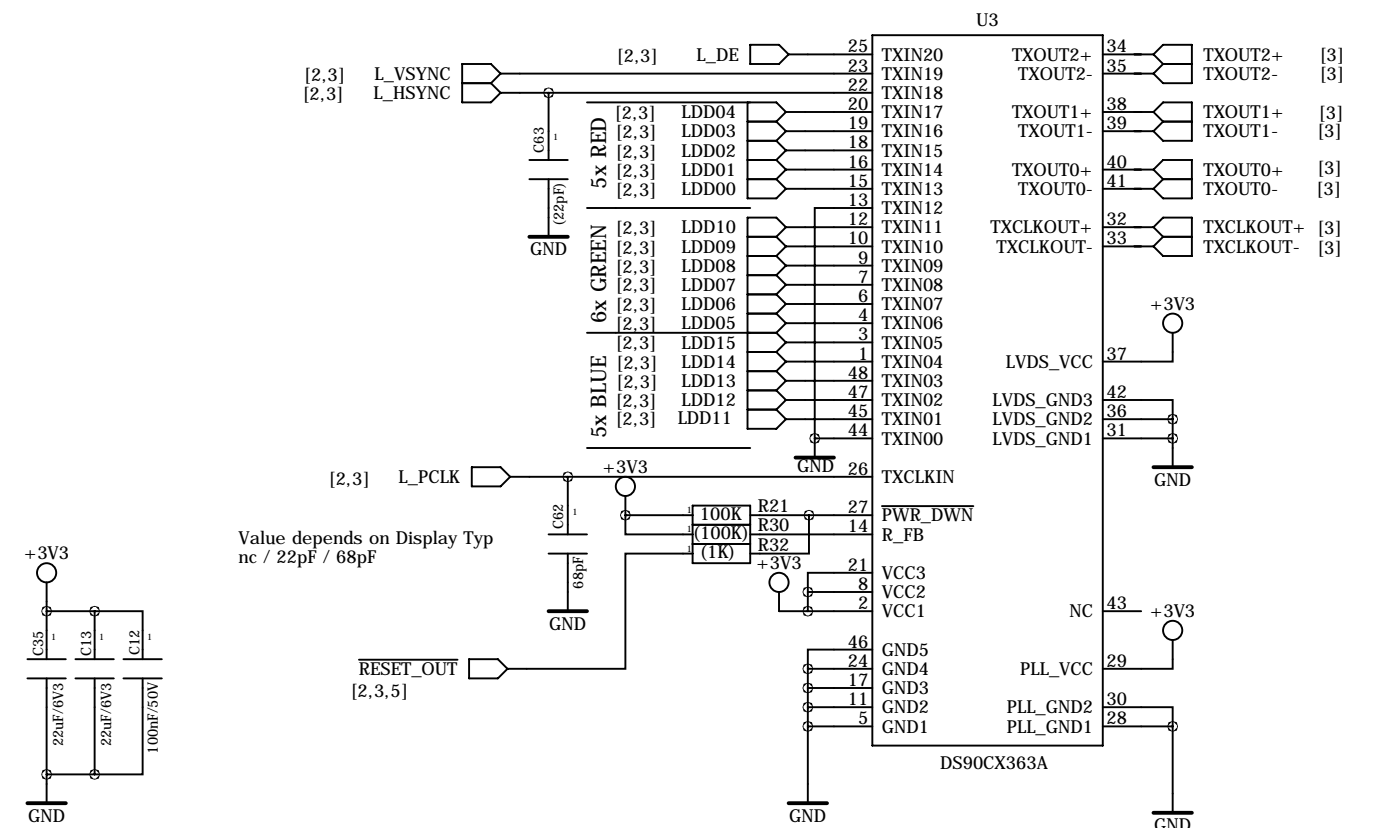
LVDS-Display



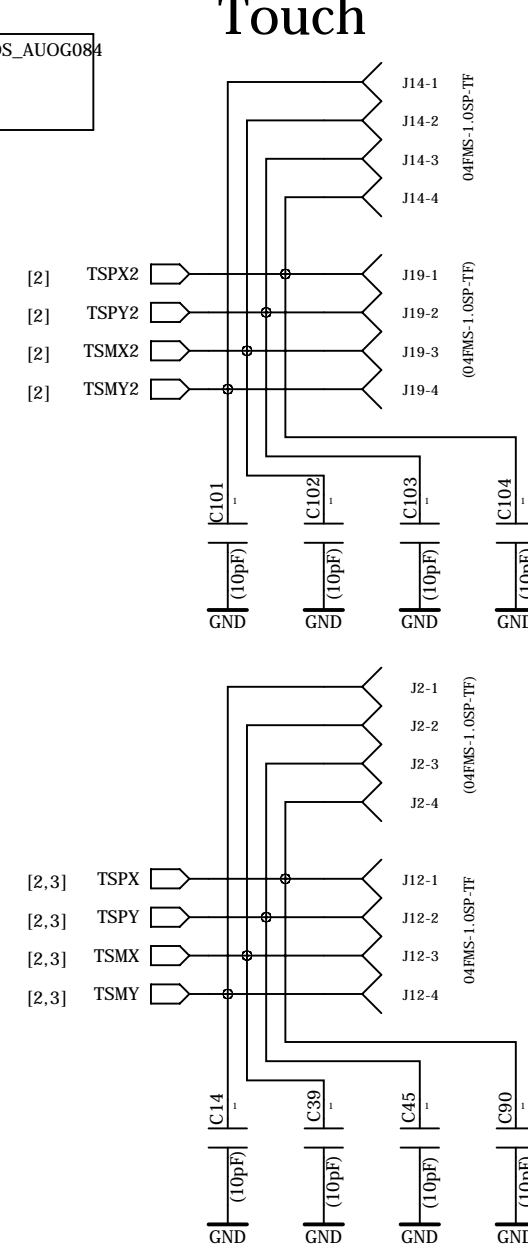
LED Backlight



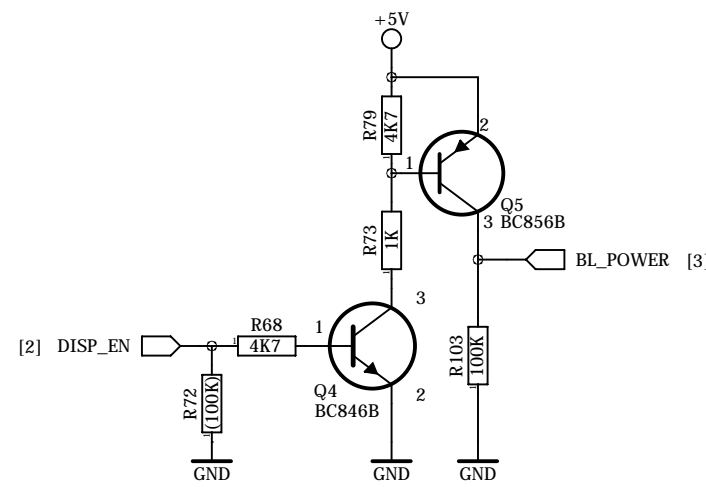
LVDS-Transmitter



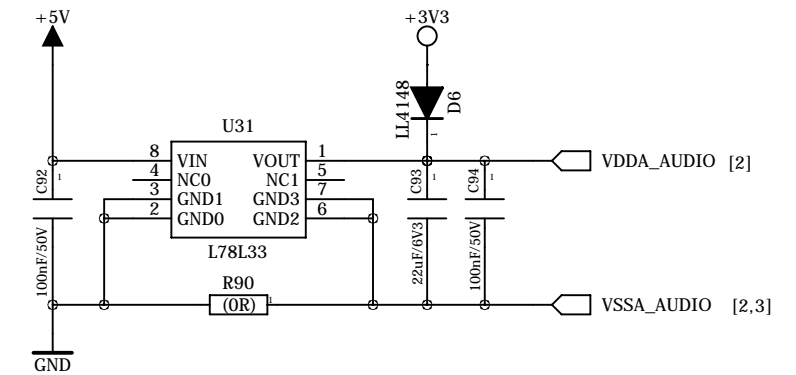
Touch



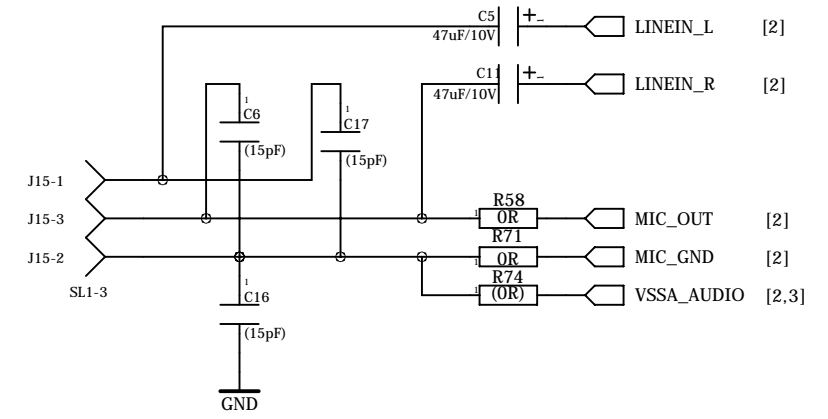
BL Power



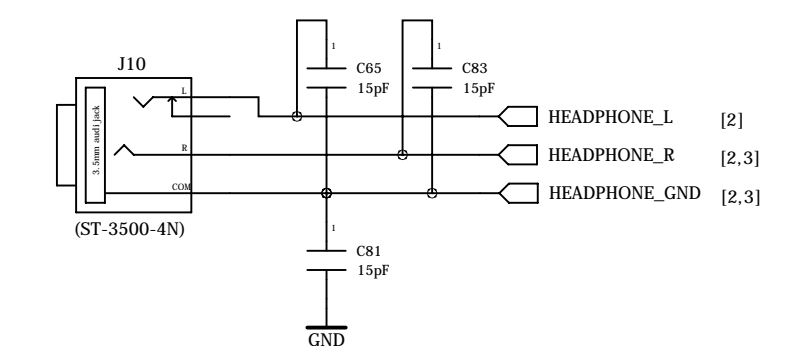
UCB1400 Voltage



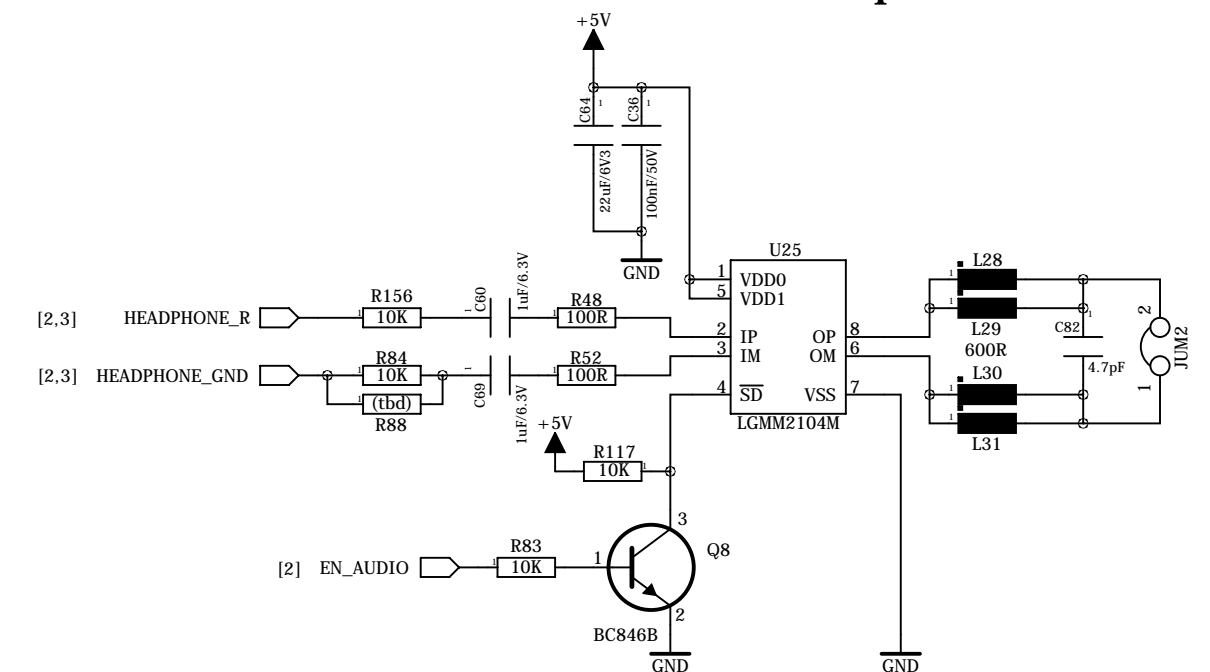
AUDIO-In



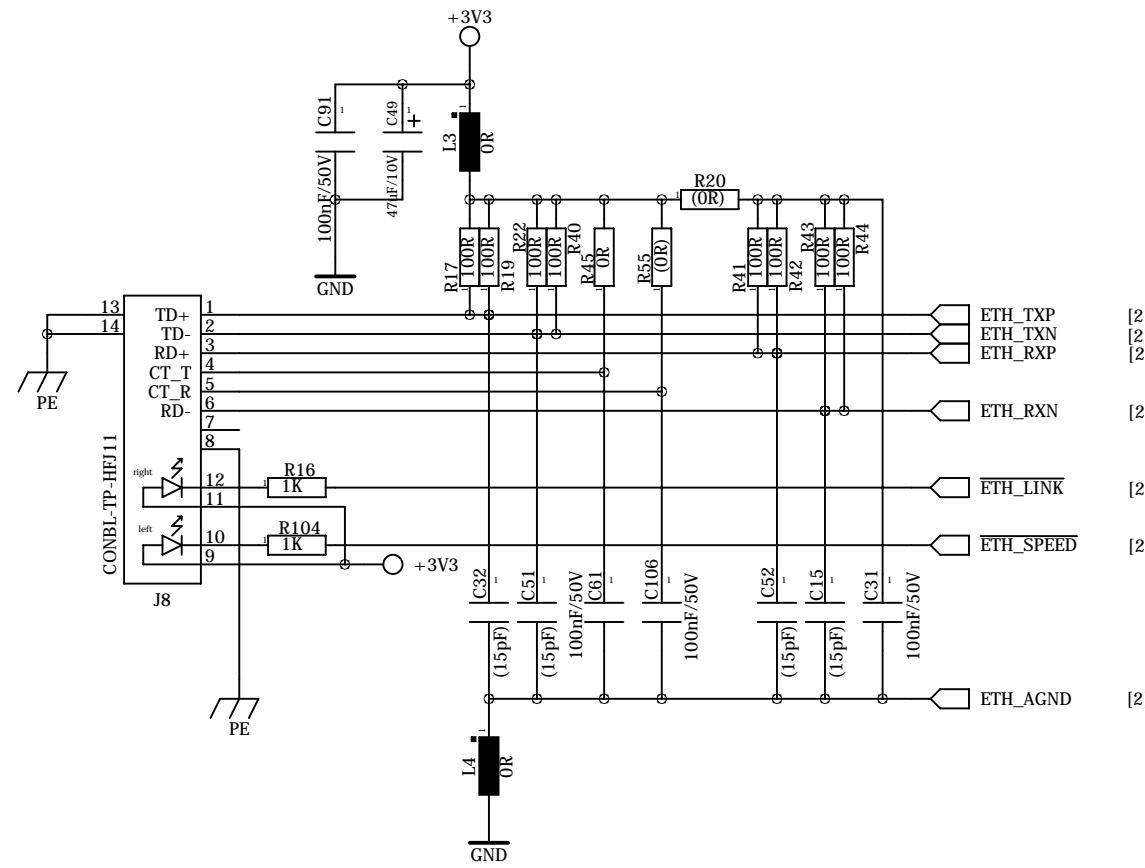
AUDIO-Out



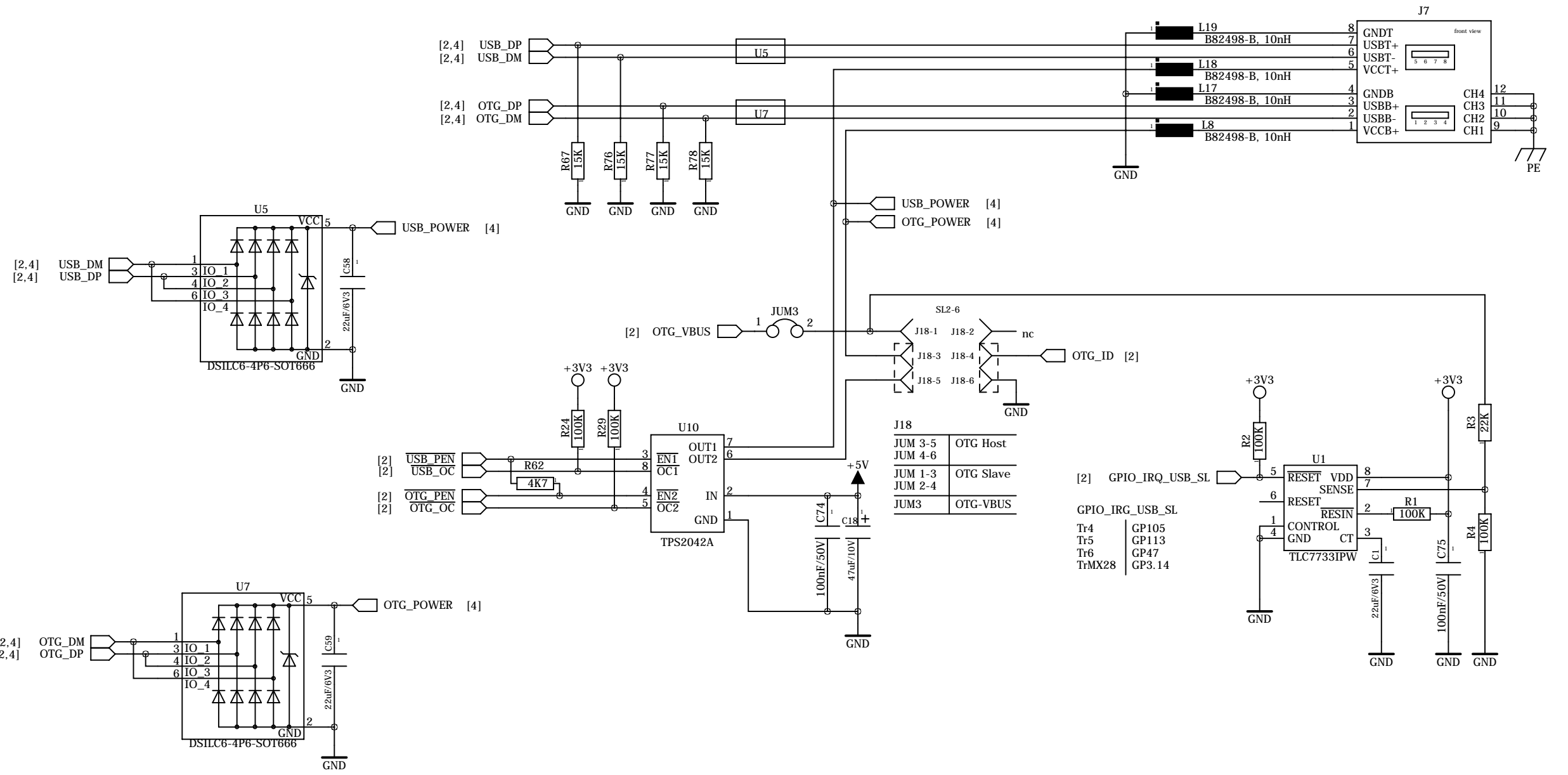
2,6W Audio mono Amplifier



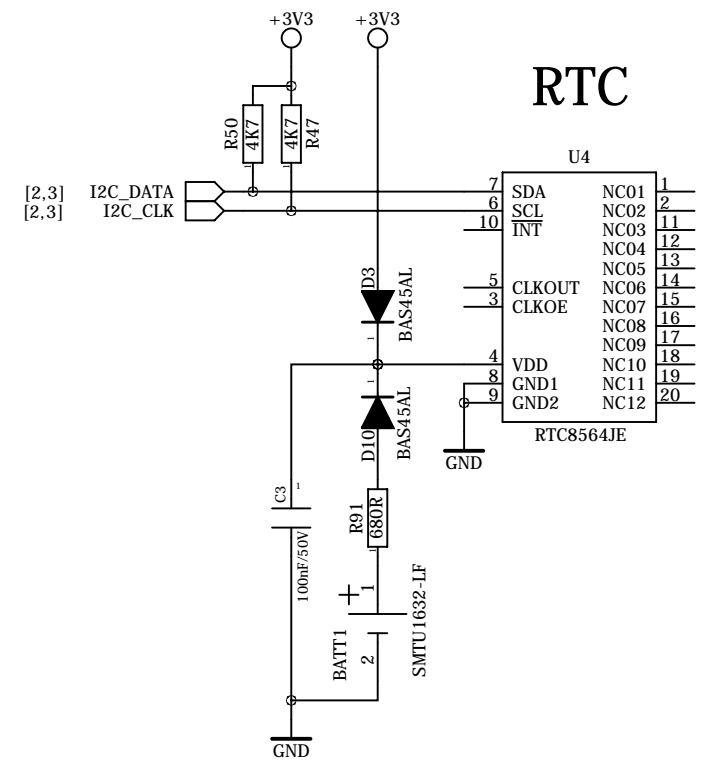
Ethernet



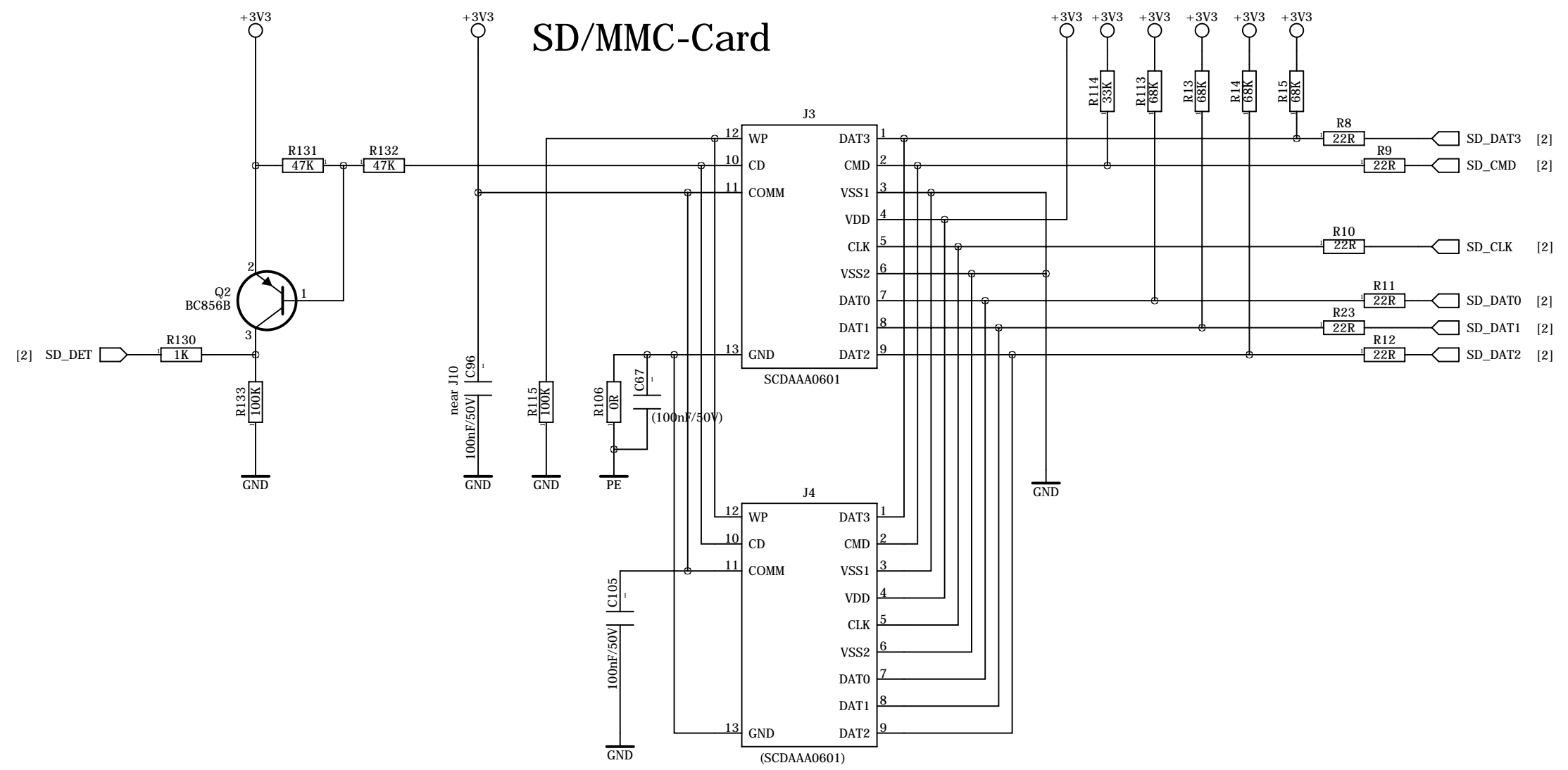
USB2.0 1x Host and 1x OTG



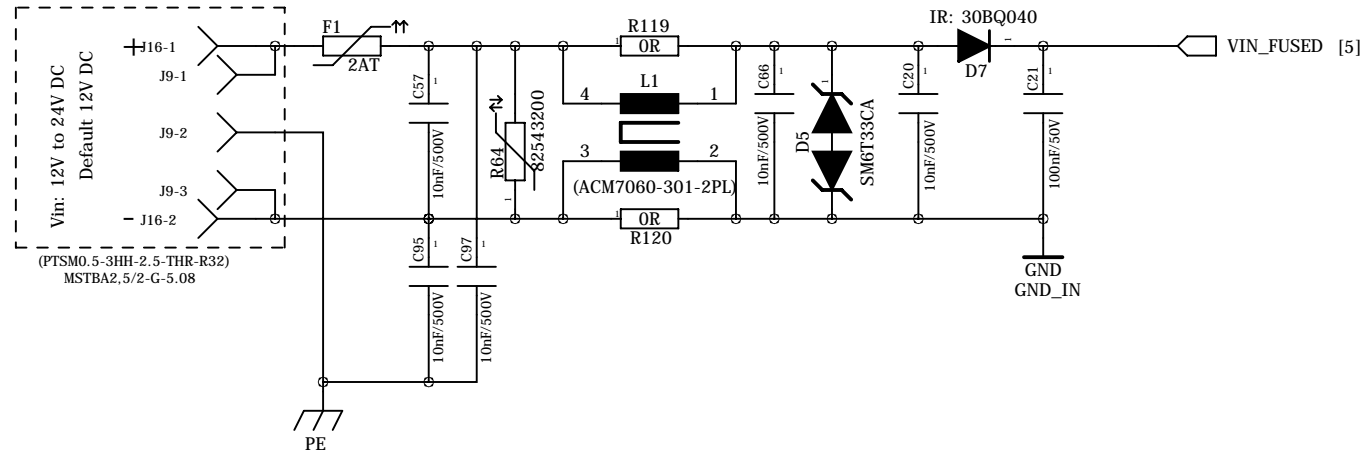
RTC



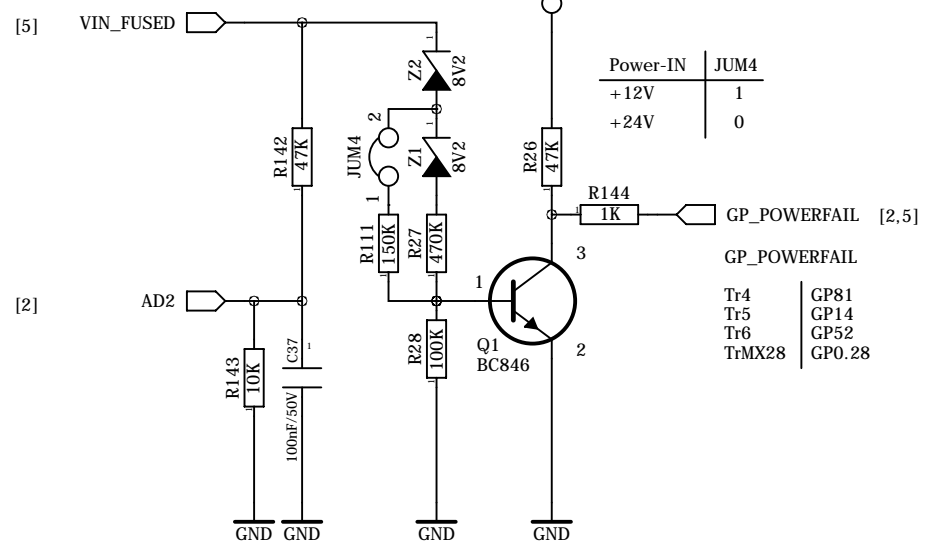
SD/MMC-Card



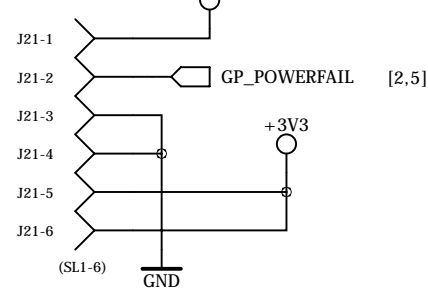
Power-IN



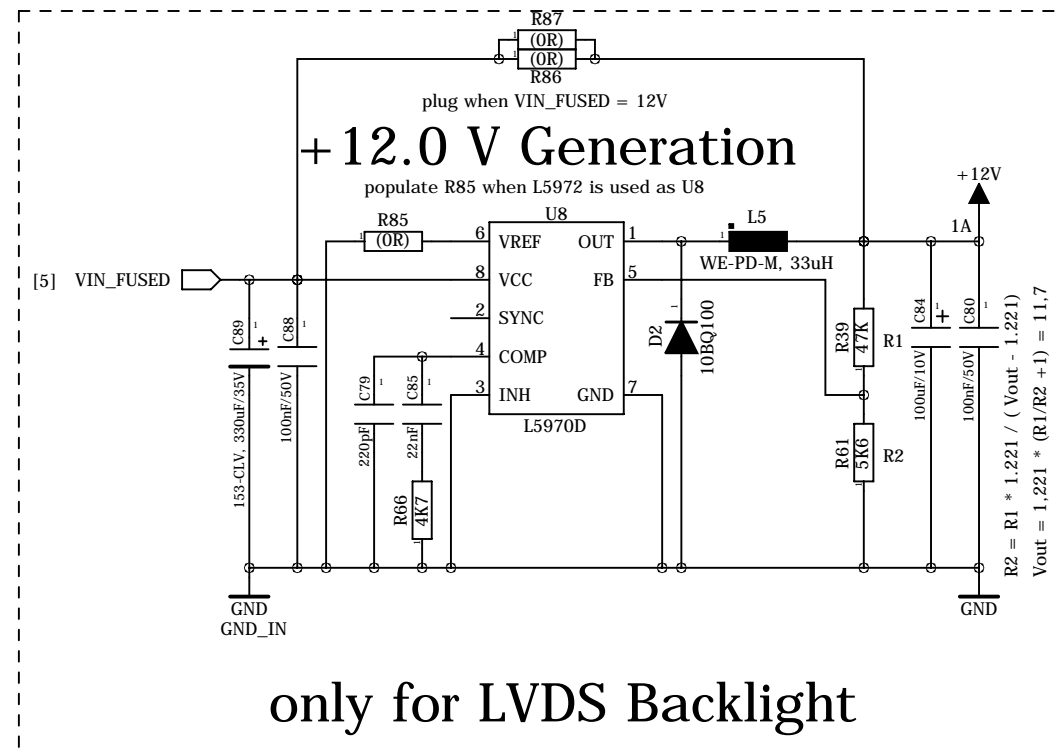
Powerfail-Sense



USV

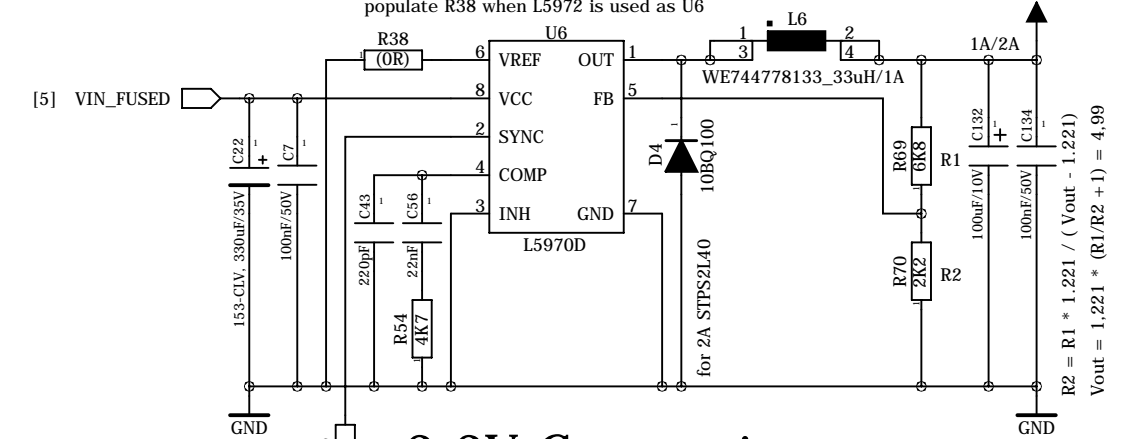


+12.0 V Generation

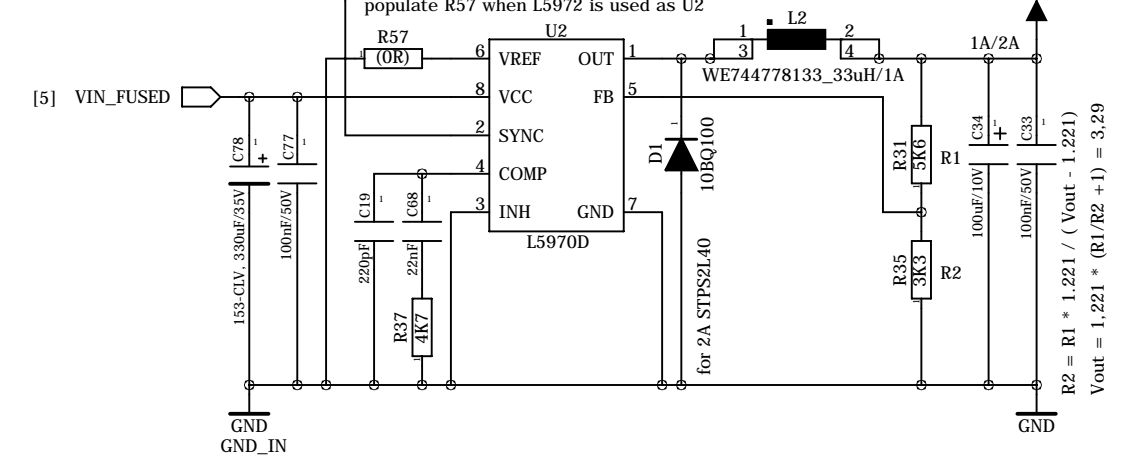


only for LVDS Backlight

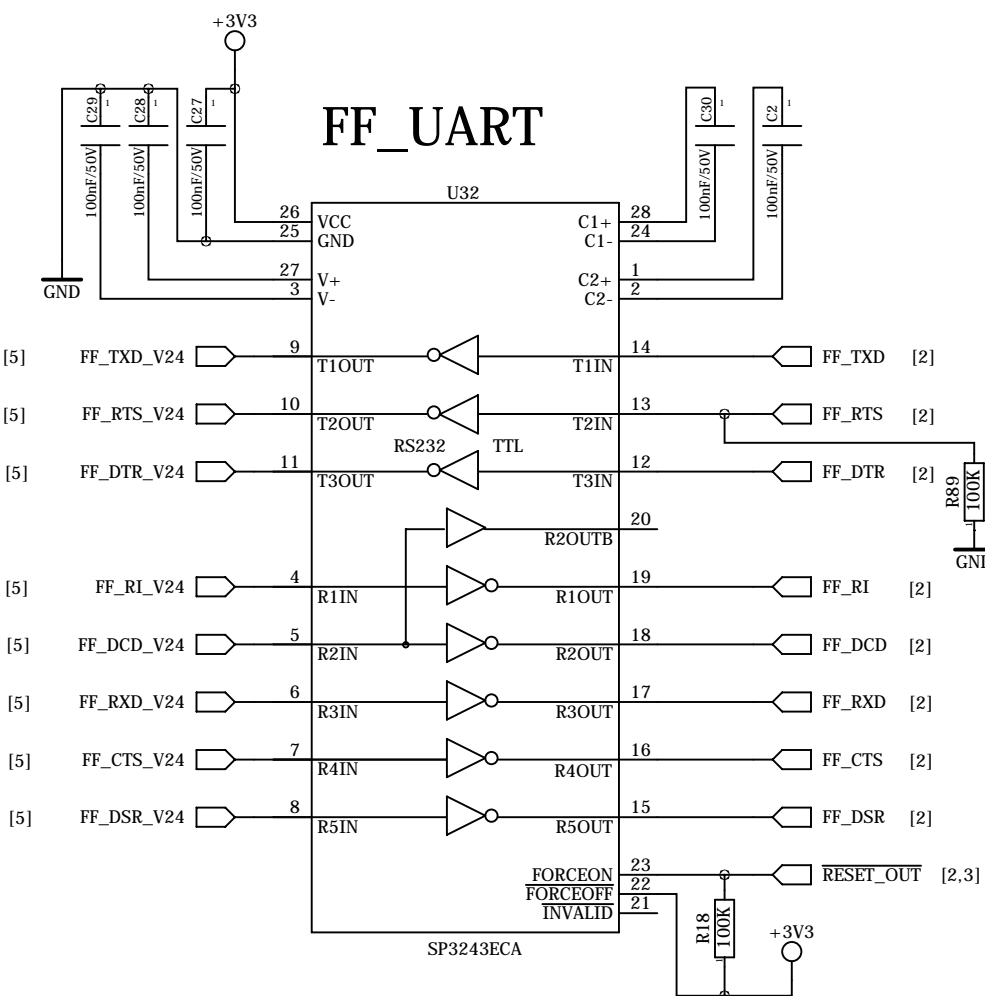
+5.0 V Generation



+3.3V Generation



FF_UART



RS232

